

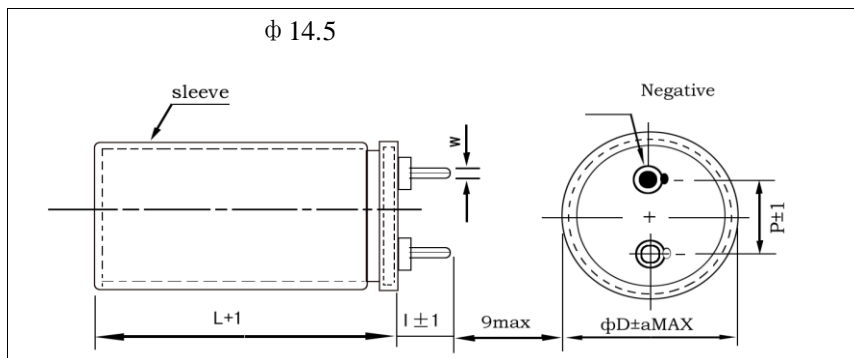
FEATURES

1. PS series is for photo flash applications require not only superior volumetric efficiency but also low dissipation factor and low leakage current.
2. These capacitors effectively convert electronic energy into light.

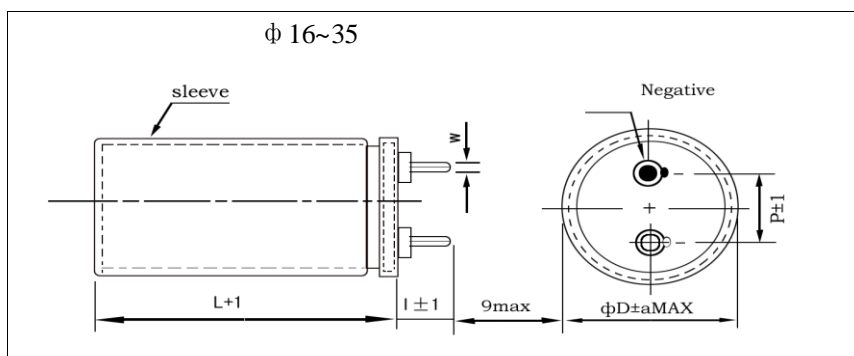
SPECIFICATIONS

Item	Performance Characteristics				
Operating Temperature Range	-25 to +55°C				
Rated Working voltage Range	330 to 360V DV				
Nominal Capacitance Range	150~1500(uF)				
Capacitance Tolerance	-10%~+20% (at 20°C, +20Hz)				
Leakage Current	I=1×C[uA]max.(After 5 minute)				
Dissipation Factor tan δ (+25°C 120Hz)	Capacitance Range(uF)	150~160		601~1500	
	Rated Voltage (V)	330	360	330	360
	Tan δ	0.10	0.12	0.15	0.18
High temperature Loading	Test conditions	:For 5000 times at room temperature(5~35°C)			
	Charge discharge cycles	:30sec			
	Leakage current	: ≤150% of Initial specified value			
	Capacitance change	: ≤±10% of initial measured value			
	tan δ (DF)	: ≤150% of initial specified value			
Shelf life	The following specifications shall be satisfied when the capacitors are restored to 20°C after exposing them for 500 hours at 55°C without voltage applied				
	Leakage current	: ≤300% of Initial specified value			
	Capacitance change	: ≤±10% of initial measured value			
	Tan δ (DF)	: ≤150% of initial specified value			
Others					

CASE SIZE TABLE



D φ	14.5	16	18	20	22	25	30	35
P	5.5	6.0	6.0	6.0	6.0	8.0	8.0	10.0
I	4.0	5.0	5.0	5.0	5.0	5.5	5.5	5.5
W	1.5	2.6	2.6	2.6	2.6	3.0	3.0	3.0
a	0.5	0.5	0.5	0.5	0.5	1.0	1.0	1.0





Screw Terminal Type

SPECIFICATION

Cap.(uF)	φ D	14.5	16	18	20	22	25	30	35
	Code								
330V DC	150	14.5×35	16×28	18×23					
	180	14.5×40	16×32	18×26					
	220	14.5×42	16×35	18×28	20×24				
	250	14.5×52	16×42	18×35	20×29	22×26			
	300		16×48	18×40	20×33	22×29			
	350		16×56	18×45	20×38	22×33			
	400			18×48	20×42	22×38	25×30		
	450			18×56	20×45	22×42	25×32		
	500				20×48	22×45	25×34		
	600				20×56	22×48	25×40	30×33	
	700					22×56	25×44	30×37	
	800						25×50	30×40	
	900						25×58	30×43	
	1000						25×56	30×47	35×37
	1200							30×54	35×43
	1300							30×58	35×45
1500							30×64	35×51	
360V DC	150	14.5×42	16×35	18×28	20×24				
	180	14.5×48	16×40	18×32	20×28				
	220	14.5×52	16×45	18×35	20×30	22×26			
	250		16×52	18×42	20×35	22×30			
	300			18×48	20×40	22×35	25×30		
	350				20×45	22×40	25×32		
	400				20×52	22×42	25×35		
	450					22×48	25×40		
	500					22×56	25×44	30×34	
	600						25×50	30×38	
	700						25×58	30×44	
	800							30×50	35×38
	900							30×54	35×43
	1000							30×58	35×48
	1200							30×70	35×55
	1300								35×59
1500								35×71	